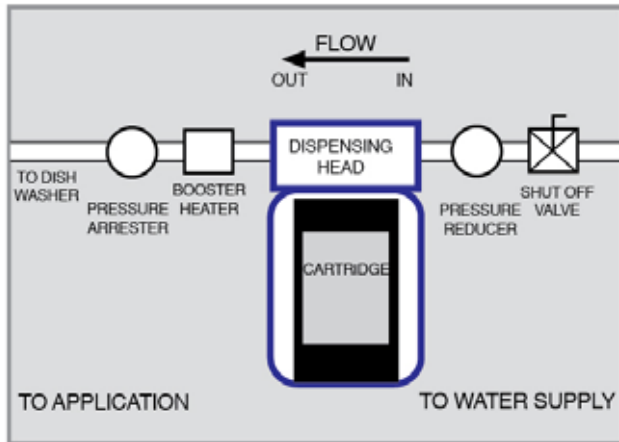
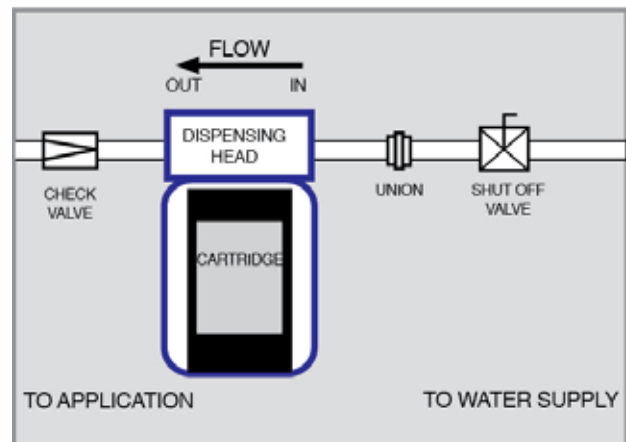


## INSTALLATION LAYOUT FOR MODELS HSC-50 / HSC-100

### INSTALLATION LAYOUT FOR DISHWASHERS



### INSTALLATION LAYOUT FOR COMMERCIAL USE



### INSTALLATION INSTRUCTIONS

- Install a check valve after the water unit as required to prevent backflow.
- **DO NOT** remove end caps from the (replaceable) cartridge.
- **DO DISCARD** the orange moisture cap **PRIOR** to cartridge installation.
- Inlet and Outlet are 3/4" NPT (female)

### UNIT MOUNTING INSTRUCTIONS

1. Mount the unit with the supplied bracket to a wall or a piece of equipment that can support the weight of the unit.
2. Mount the units' head - **horizontally** - with the sump below it. **The unit will not function properly in any other orientation.**
3. Connect the necessary plumbing (refer to diagram above). A check valve may be installed after the unit. Also, install a shut-off valve on the inlet side of the head and on the outlet side of the head to facilitate the removal of the sump for cartridge replacement.
4. Mount the unit out of direct sunlight and out of excessive or freezing temperatures.

**NOTE:** Periodically check the SCALTROL cartridge and use only genuine replacements  
 Replace the cartridge when the level of Scaltrol mixture reaches the bottom end cap.